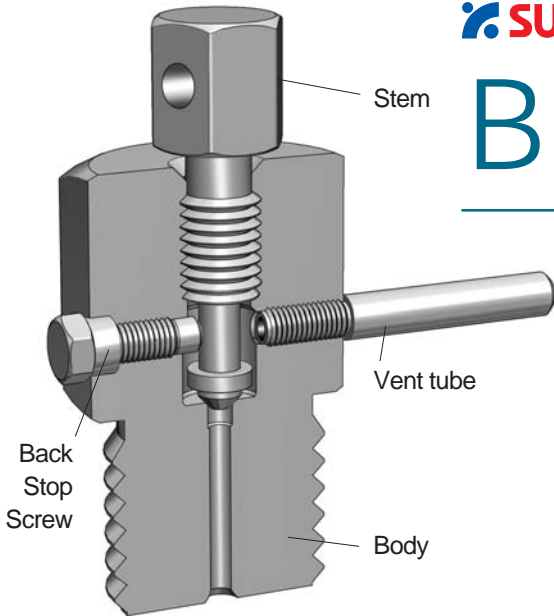


# BLEED VALVES



## APPLICATIONS

**SUPERLOK** bleed valves can be used on instrumentation devices such as multivalve manifolds or gauge valves to vent signal line pressure to atmosphere. Before removal of an instrument or to assist in calibration of control devices.

## FEATURES

- Compact for convenient installation.
- Back stop screw prevents accidental remove of stem.
- Chrome-plated stem threads and tip improves valve life.
- Male NPT or ISO Thread end connection.

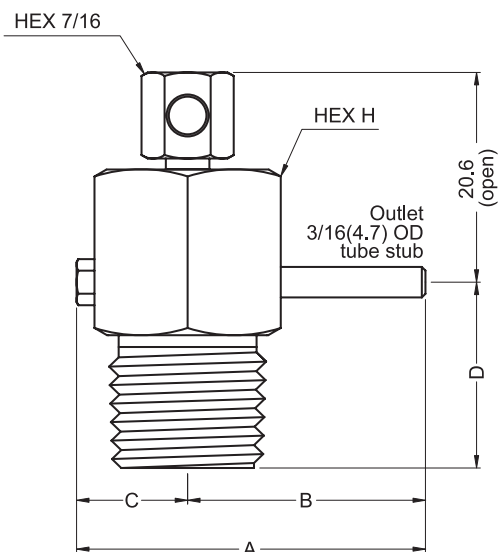
## MATERIALS OF CONSTRUCTION

Component	Valve Body Materials
	Material Grade/ASTM Specification
Stem	316 SS / A276
Body	316 SS / A276
Back stop screw	316 SS / A276
Vent tube	316 SS / A269

## TECHNICAL DATA

Series	Orifice in.(mm)	Pressure-Temperature Rating	
		Temperature °F (°C)	Working Pressure psig (bar)
SBLV	0.125(3.2)	-65 to 850 °F (-54 to 454 °C)	10,000psig (689bar) @ 100 °F (38°C)

## TABLE OF DIMENSION



Part Number	End Connection		Cv	Dimensions in.(mm)				
	Inlet	Outlet		A	B	C	D	H
SBLV-M-2N	1/8" Male NPT	O.D. 3/16" tube stub	0.25	1.34 (34.0)	0.94 (23.9)	0.41 (10.4)	0.75 (19.1)	0.625 (15.87)
SBLV-M-4N	1/4" Male NPT			1.47 (37.3)	1.03 (26.3)	0.44 (11.2)	0.88 (22.3)	0.875 (22.22)
SBLV-M-6N	3/8" Male NPT							
SBLV-M-8N	1/2" Male NPT							

## TESTING

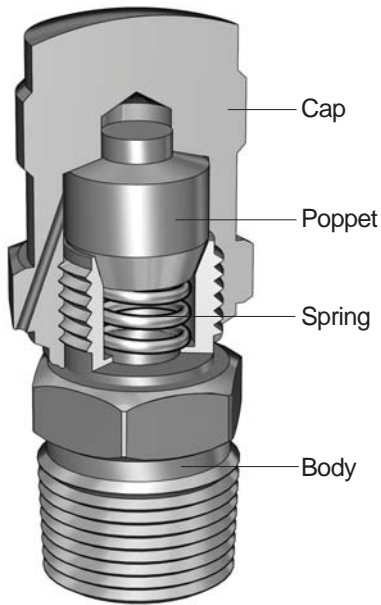
- Each valve is tested with nitrogen @ 1000psig(69bar) to max leak rate of 0.1 SCCM.
- Hydrostatic shell test is performed at 1.5times the working pressure.

## OPTION

If require 316SS bar handle, add-BH to the end of part number.

ex) SBLV-M-4N-BH

# PURGE VALVES



## APPLICATIONS

**SUPERLOK** purge valves are manual bleed, vent, or drain valves. One-quarter turn with a wrench from finger-tight obtains leaktight closure on first makeup. Snugging with a wrench ensures closure to the rated pressure with subsequent makeups.

## FEATURES

- Compact for convenient installation.
- Vent hole is bled excessive liquid or gas from system lines.
- Cap is crimped to valve body to prevent accidental disassembly.
- Variety of end connections; **SUPERLOK** tube fittings, NPT and ISO threads.

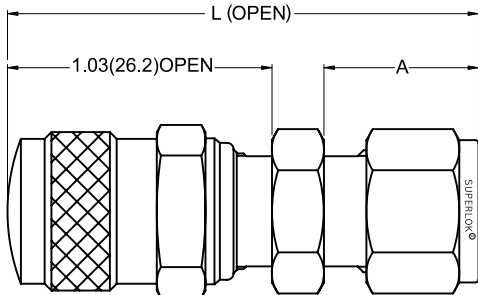
## MATERIALS OF CONSTRUCTION

Component	Valve Body Materials	
	Material Grade/ASTM Specification	
Cap	316 SS / A276	
Body	316 SS / A276	
Poppet	316 SS / A276	
Spring	304 SS	

## TECHNICAL DATA

Series	Pressure - Temperature Rating	
	Temperature °F (°C)	Working Pressure psig (bar)
SPUV	-65 to 600 °F (-54 to 315 °C)	4,000psig (275bar) @ 100 °F (38 °C)

## TABLE OF DIMENSION



Part Number	Inlet End Connection	Dimensions in.(mm)		
		L	A	
<b>S</b>	F-2N	1/8" Female NPT	1.56 (39.6)	0.53 (13.5)
	F-4N	1/4" Female NPT	1.75 (44.4)	0.72 (18.3)
	F-6N	3/8" Female NPT	1.81 (46.0)	0.78 (19.8)
	F-8N	1/2" Female NPT	1.98 (50.3)	0.97 (24.6)
<b>M</b>	M-2N	1/8" Male NPT	1.62 (41.1)	0.38 (9.7)
	M-4N	1/4" Male NPT	1.81 (46.0)	0.56 (14.2)
	M-6N	3/8" Male NPT	1.84 (46.7)	0.56 (14.2)
	M-8N	1/2" Male NPT	2.09 (53.1)	0.75 (19.1)
<b>SUPERLOK</b>	S-2	1/8" SUPERLOK	1.84 (46.7)	0.59 (15.0)
	S-4	1/4" SUPERLOK	1.94 (49.3)	0.69 (17.5)
	S-6	3/8" SUPERLOK	2.03 (51.6)	0.75 (19.1)
	S-8	1/2" SUPERLOK	2.19 (55.6)	0.88 (22.4)
<b>M</b>	S-6M	6mm SUPERLOK	1.94 (49.3)	0.69 (17.5)
	S-8M	8mm SUPERLOK	2.00 (50.8)	0.72 (18.3)